

Build This Cabinet for ~\$15.00



Here's How...

[Go to Next Page](#)

These instructions are intended for the Do-It-Yourselfer who has basic woodworking knowledge and is familiar with woodworking tools and terms.

If you have questions or need additional assistance,
contact Dennis Bartlett at 541 673-4070

Following are the supplies and tools you will need:

Supplies:

- 24 each #6 sheetrock/grabber screws 1-1/2"
- 50 each 3d finish nails
- 2 sets of flush mounted cabinet hinges with screws

Tools:

- Hammer
- Screwdriver
- Drill w/bits
- Table saw

Heartwood ReSources carries all the supplies you need to build this cabinet. Visit us at 355 Atlanta Street, Roseburg, OR.
(Corner of Diamond Lake and Atlanta).

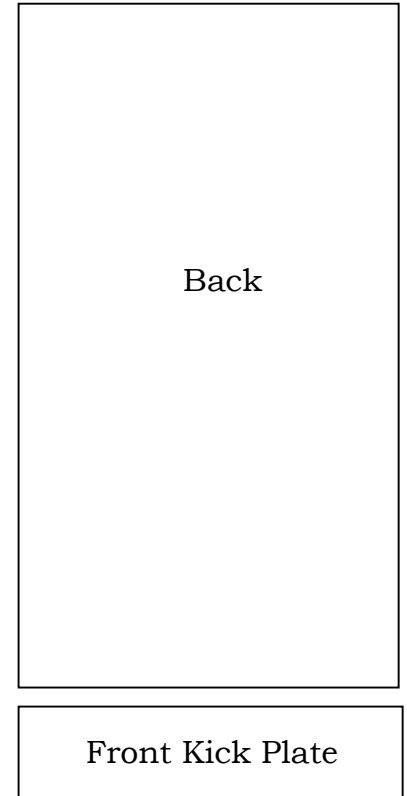
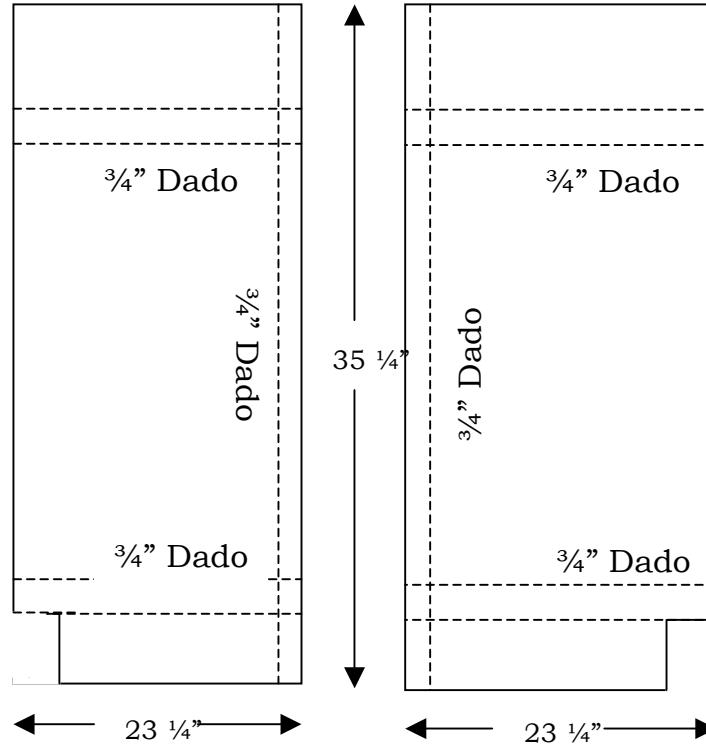
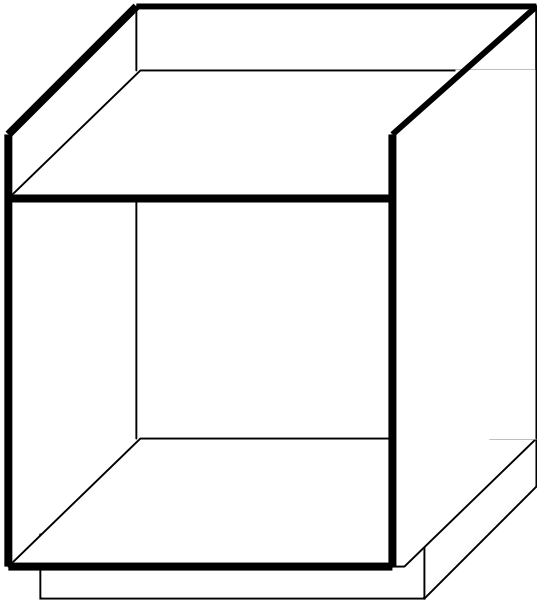
Store hours are Monday through Saturday, 9:00 am to 5:00 pm.

Build a Box

Build a Box: From $\frac{3}{4}$ " pieces of laminated particle board
(about \$5.00 at Heartwood Resources)

1. Begin by cutting the 2 side pieces to size (see next page).
2. Make Dado cuts where the top and bottom shelves will go.
3. Cut the back and 2 shelves to size.
4. Pre-drill holes in the side pieces, and assemble parts.
5. Use drywall screws and glue to hold parts together.
6. Use a piece of scrap material to make a kick plate. This will make a solid base for the cabinet to stand on.

Go to Next Page



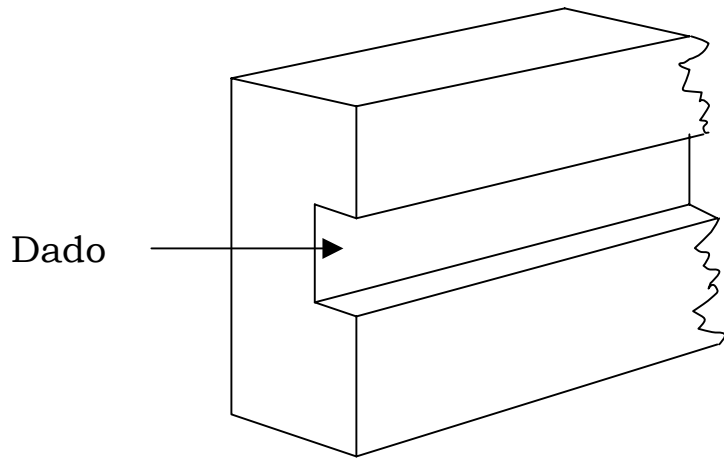
Go to Next Page

Build the Face Plate

Make a Face Frame: from 6 pieces of 1-1/2" side pine.

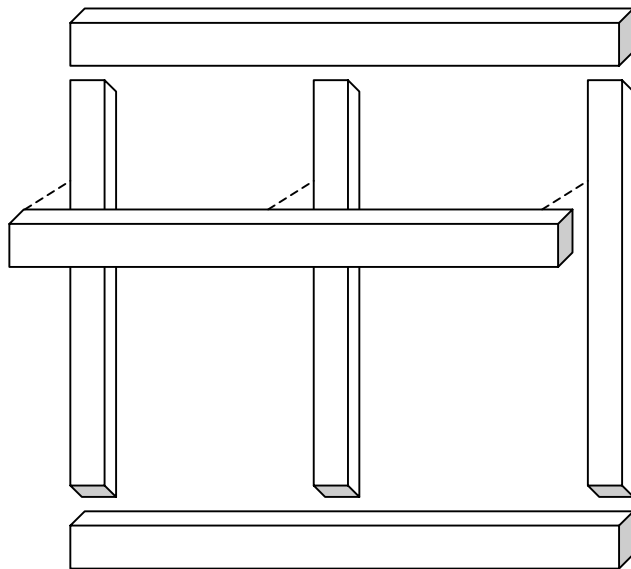
1. Join together with half lap joints.
2. Lay out the pieces to line up with the sides and shelves.
3. Make cuts at the intersections.
4. Glue and nail the joints together on the cabinet box.

Go to Next Page

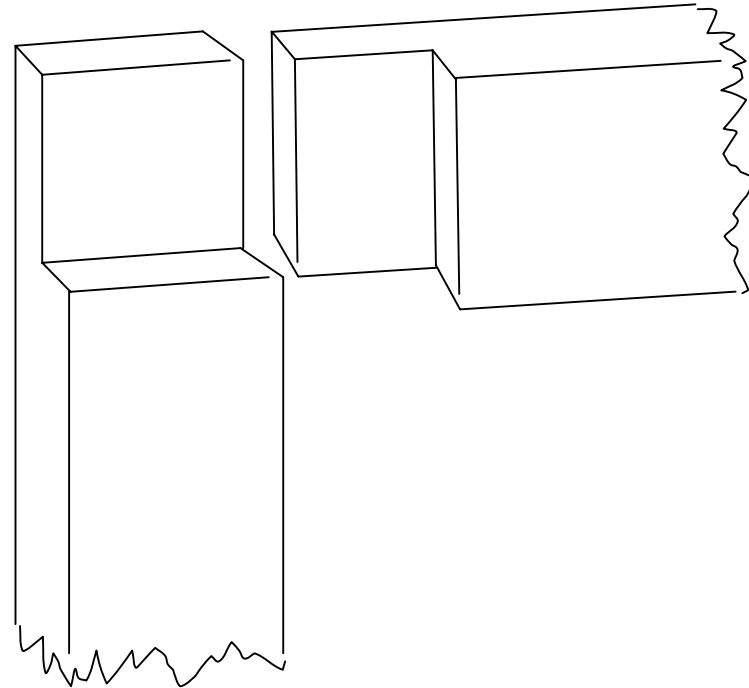


$\frac{3}{4}$ " Dado cut $\frac{1}{2}$ way through board.

Note: Cut dado slightly larger than $\frac{3}{4}$ ", because the shelves are laminated.



Half Lap Joints



Go to Next Page

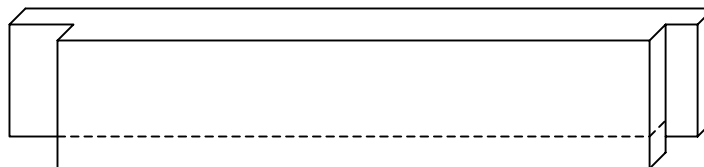
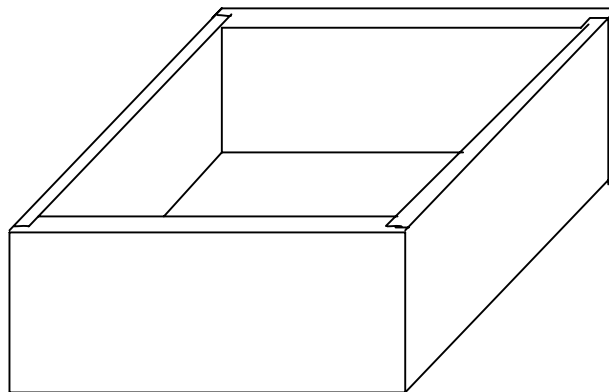
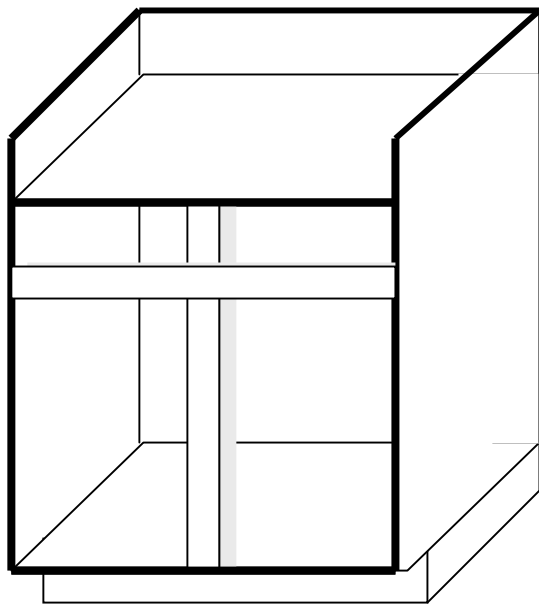
Build the Drawers

Build drawers from $\frac{1}{2}$ " plywood with $\frac{1}{4}$ " hardboard bottoms.

1. Cut 4 pieces, for the sides, and 4 pieces for the fronts and backs.
2. Make $\frac{1}{2}$ " dados on the ends of the side pieces.
3. Cut the end pieces to length
4. Cut $\frac{1}{4}$ " dados in each bottom piece.
5. Assemble the pieces and fasten with glue and nails.

Go to Next Page

2 Drawers



Cut $\frac{1}{2}$ " dados to fit end pieces

Cut $\frac{1}{4}$ " dado for bottom

Go to Next Page

Finish the Drawers and Doors

The drawer fronts and doors are made from flat pieces of laminated particle board, with pine trim on the edges.

1. Cut the drawer fronts and door blanks to the approximate size of the openings.
2. Cut the trim into ½” wide strips.
3. Cut the pieces to length and glue and nail into place.
4. Secure drawer fronts to drawers with screws.
5. Mount doors with flush mounted hinges.
6. Drawer slides are made from scraps of wood loosely fitted around the drawer.
7. Paint or stain the cabinet to your taste.

Congratulations!

You're done, and the cabinet is ready to use.